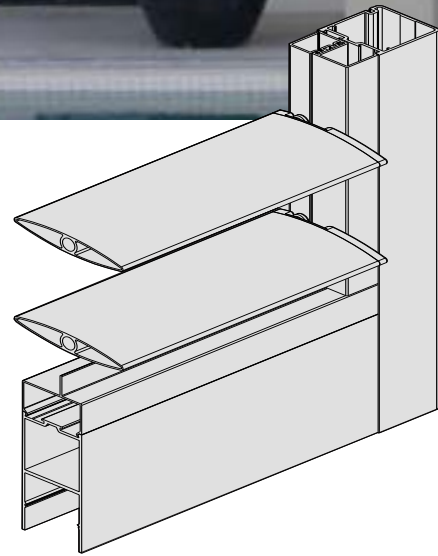




DESIGN FEATURES

- The LouvreMASTER™ sun control shutter is designed for external sun and or privacy control in fixed panels or moving panels in the form of a hinged, sliding or a Bi-folding door.
- The LouvreMASTER™ system has been successfully tested for compliance with AS2047 (wind and proof load). 1200mm wide door panel will withstand 2000Pa Serviceability at 1/250 deflection and proof tested to 3000Pa.
- There is an awning / casement sash that will accept LouvreMASTER™ and can be fitted into Series 400 and 466 frames.
- The system has all blades working and has no dead or half blades.
- Blades are 88mm by 14mm oval shape. The pitch for the blades can vary from 60 to 80mm depending on panel height.
- The blades can be clamped in any position between open and closed with the use of a activation handle.



Maximum Panel Height	3000mm
Maximum Panel Width	1500mm
Maximum Glass Thickness	N/A

Subject to individual site conditions. Contact AWS Technical Support for more information.



WERS RATED PRODUCT



3D & 2D CAD FILES AVAILABLE



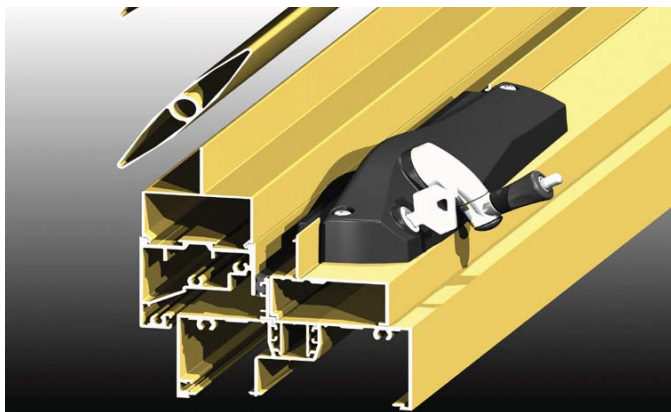
PRODUCT INFORMATION AVAILABLE AT
WWW.AWSCOMMERCIAL.COM.AU



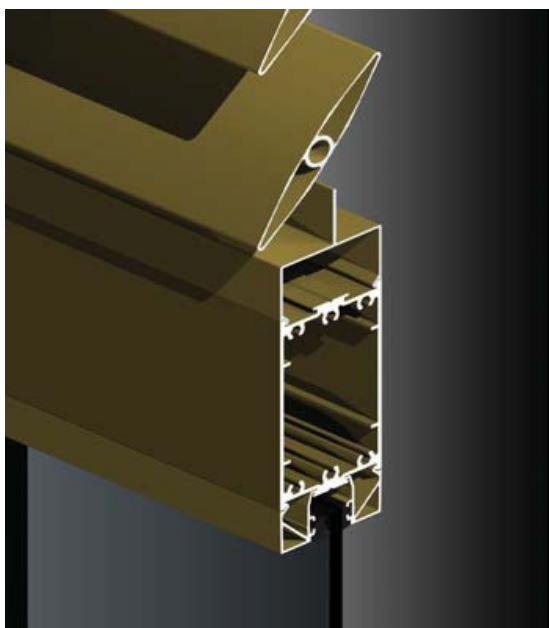
SPECIFIER ASSISTANCE AVAILABLE



LouvreMASTER™ Sun Control Shutters can be fitted into a large variety of AWS products.



The illustration above shows LouvreMASTER™ blades in one of our commercial awning sashes. The awning sash can be operated with manual or electric chain winders or manual cam handles.



LouvreMASTER™ Shutters in doors can be assembled with glass panels above and below the shutters.



We have cut a dedicated sash extrusion that allows us to fit LouvreMASTER™ Shutters into awning and casement sashes.



2D & 3D CAD FILES AVAILABLE
 GO TO: www.awscommercial.com.au >
 CAD & Revit 3D Files
 CAD file: **DWG or DXF AWS_417_1**



MORE INFORMATION
 For the latest updates regarding
 this product visit our web site
www.awscommercial.com.au