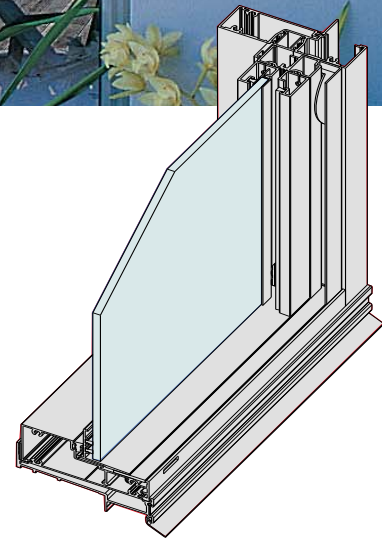




DESIGN FEATURES

- This full vision vertical sliding, sashless double-hung window has been created in 102mm commercial framing.
- The perimeter frame has been designed to make installation into brick veneer and cavity brick easier with built-in nailing fins (weather bars). The sub-sill that comes with this window also has a built-in nailing fin.
- Sashes can be secured with key or non-key locking shoot bolt.
- The main feature with this ClearVENT™ window is the clear unobtrusive vision as there are no horizontal central sash rails. As one sash is lifted the other lowers (the sashes are joined via cords and pulleys).
- A fixed sill glass panel can be fitted into the ClearVENT™ window to make it easy to get top ventilation only. This fixed sill panel could also be used on tall windows in elevated installations as a safety barrier (check the requirements of local authorities).
- ClearVENT™ windows can be fitted with external flyscreens, special extrusions have been cut to make sure this detail matches the overall window design, no turn buckles required.
- Sashes are counterweighted by the adjoining sash via stainless steel/nylon pulleys and cords.
- Sashes can be glazed with 6mm annealed, 5 or 6mm toughened or 6.38mm laminated glass.
- ClearVENT™ vertical sliding sashes can also be installed into Series 50 or 51 hinged and Bi-fold doors.



| | |
|-------------------------|---------|
| Maximum Panel Height | 1010mm |
| Maximum Panel Width | 1210mm |
| Maximum Glass Thickness | ≤ 6.5mm |

Subject to individual site conditions. Contact AWS Technical Support for more information.



WERS RATED PRODUCT



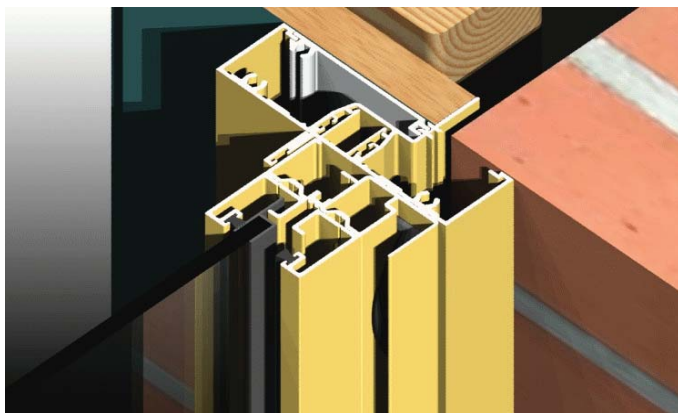
3D & 2D CAD FILES AVAILABLE



PRODUCT INFORMATION AVAILABLE AT
WWW.AWSCOMMERCIAL.COM.AU



SPECIFIER ASSISTANCE AVAILABLE



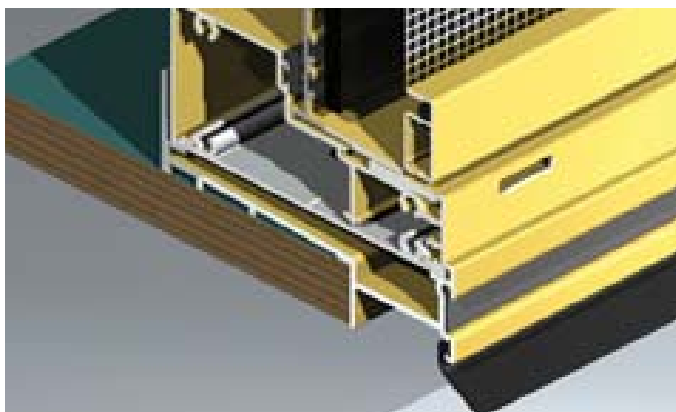
A major feature with Series 464 is the frame with in-built nailing fin (weather bar). This makes installation into cavity brick with height adjustable building-in lugs and into brick veneer walls with timber reveals as shown above possible. The standard jamb is 102 x 30mm as shown above, we also offer 102 x 44mm jamb and again with the nailing fin feature. Nailing fins may not sound that important but this built-in weather bar is what stops water traveling from the outer brick skin to the inner wall.



We have key and non-key locks for this window.



One sheet of glass support the weight of the other via heavy duty ball bearing pulley (rated to 300Kg) and high strength (rated to 350Kg) cord.



Sub-sills are standard on Series 464. The sub-sill has several significant features:

- Full flashing tray guides any water that gets into the window back to the outside.
- Our custom sub-sill designed for cavity brick and brick veneer construction has built-in nailing fin to allow sill timber reveal fixing.
- The PVC flap on the outer edge of the sub-sill caters for stud wall settlement on brick veneer construction.
- Sub-sill fitted with co-extruded Santoprene drain hole cover flap to prevent blow back under extreme situations.
- Sub-sill is also stop ended to guide water back to the front.



2D & 3D CAD FILES AVAILABLE
GO TO: www.awscommercial.com.au >
CAD & Revit 3D Files
CAD file: DWG or DXF AWS_464_1



MORE INFORMATION
For the latest updates regarding
this product visit our web site
www.awscommercial.com.au